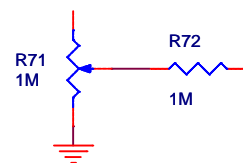
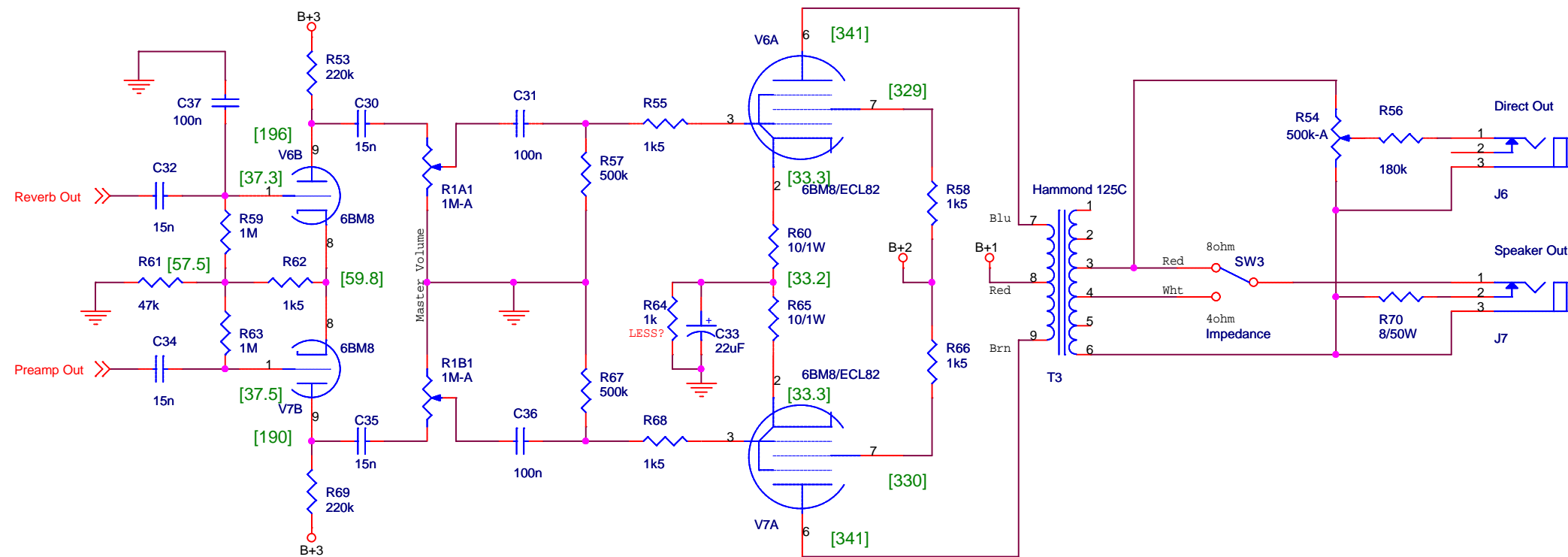
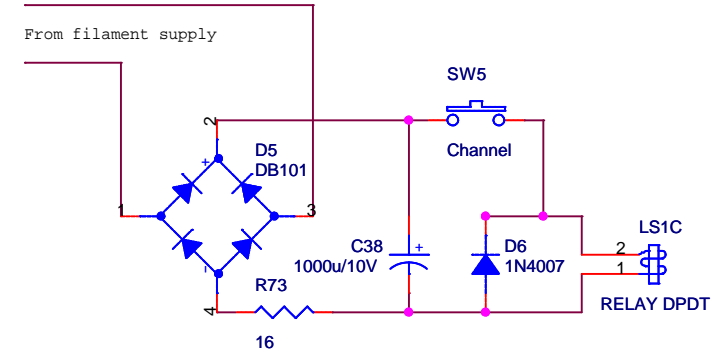
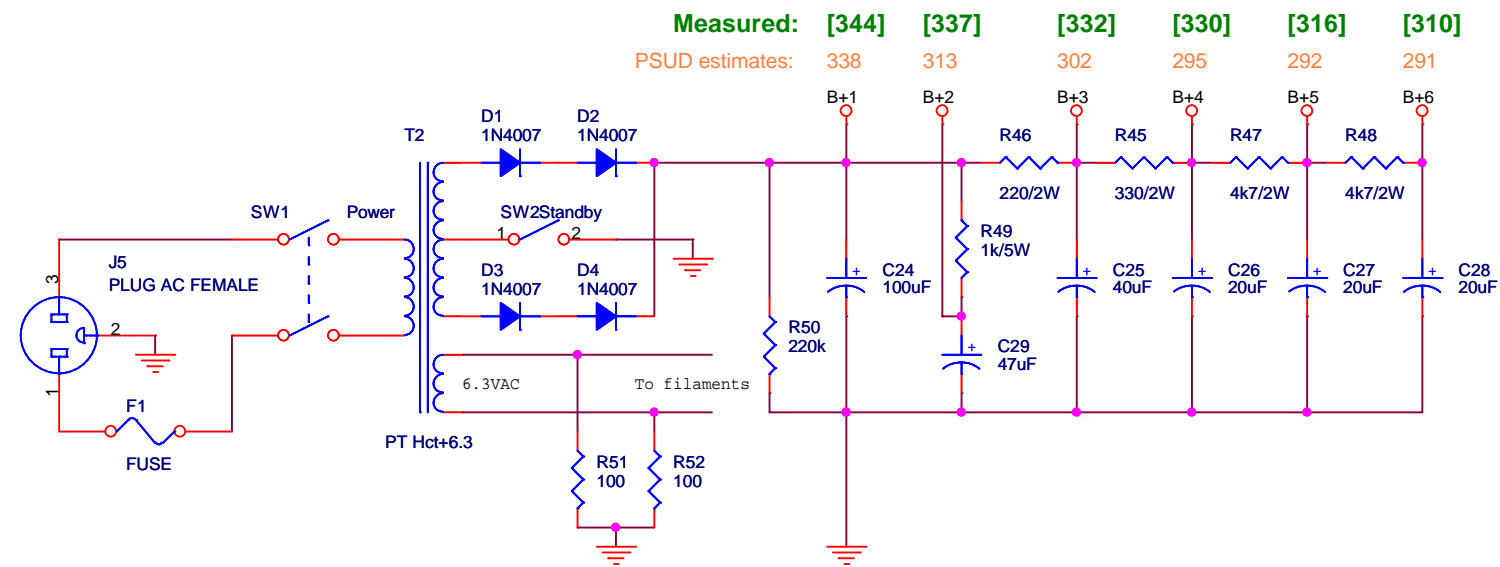


# Harmonic Appliances

## Verberator II Prototype

Module:	Preamp, Reverb & Tremolo
Date:	Thursday, May 04, 2006
Sheet 1 of 2	Rev.: A3
Copyright (c) 2005 Mark Lavelle All rights reserved.	



# Harmonic Appliances

## Verberator II Prototype

Module: Supply and Power Amp	Sheet 2 of 2	Rev.: A3
Date: Thursday, May 04, 2006	All rights reserved.	
Copyright (c) 2005 Mark Lavelle		