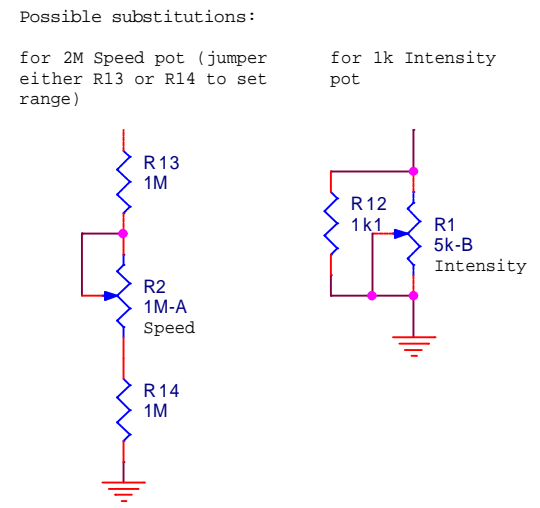
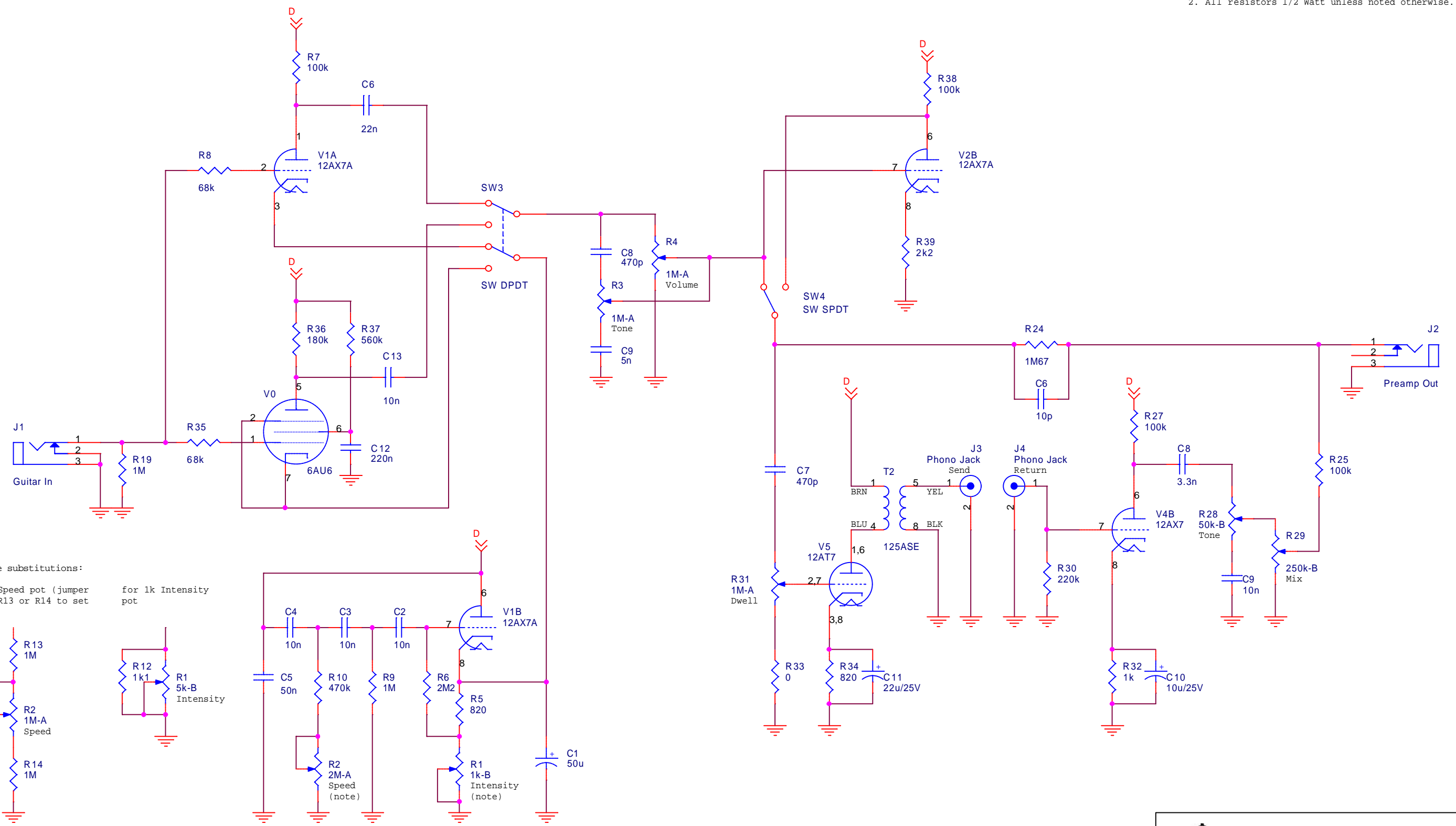


- NOTES:
1. All capacitors 450V or higher unless noted otherwise.
 2. All resistors 1/2 Watt unless noted otherwise.



Harmonic Appliances

Verberator II Proto #1

Module: Preamp Proto for use with Tonerator	Rev.: B	Size: B
Date: Monday, October 07, 2002	Sheet 1 of 1	
Copyright (c) 2002 Mark Lavelle		No distribution without permission