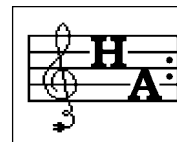
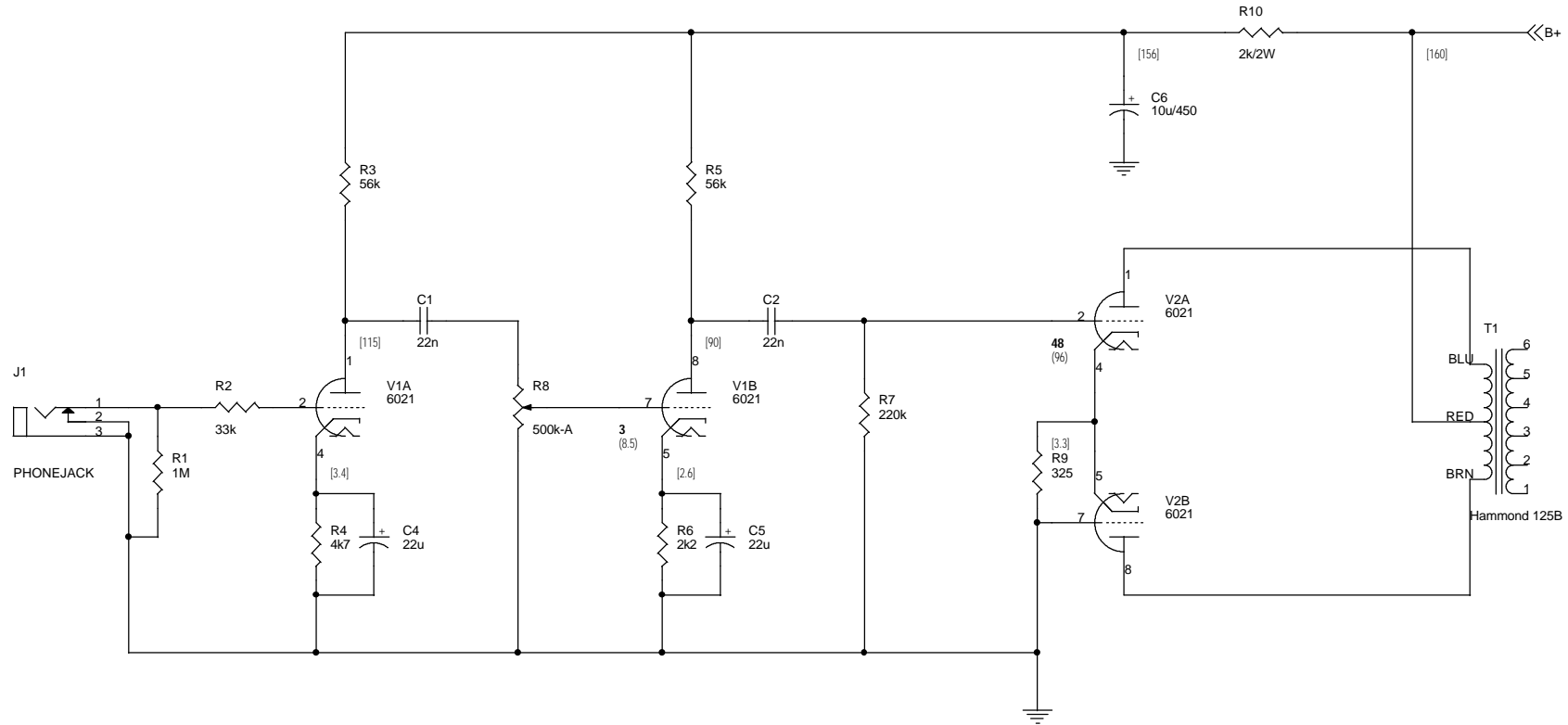


Voltage readings

- AC** peak-to-peak signal, measured with scope, using 500mV 200Hz sine wave input, gain controls at maximum for no distortion at pin 7 of V1B
- (AC)** peak-to-peak signal with gain controls at maximum
- [DC]** idle, with respect to chassis ground



Harmonic Appliances
PowerMan Prototype

Size: B	Module: perboard	Sheet 1 of 1	Rev.: A
Date: Saturday, March 08, 2003		Copyright (c) 2003 Mark Lavelle	
All rights reserved.			