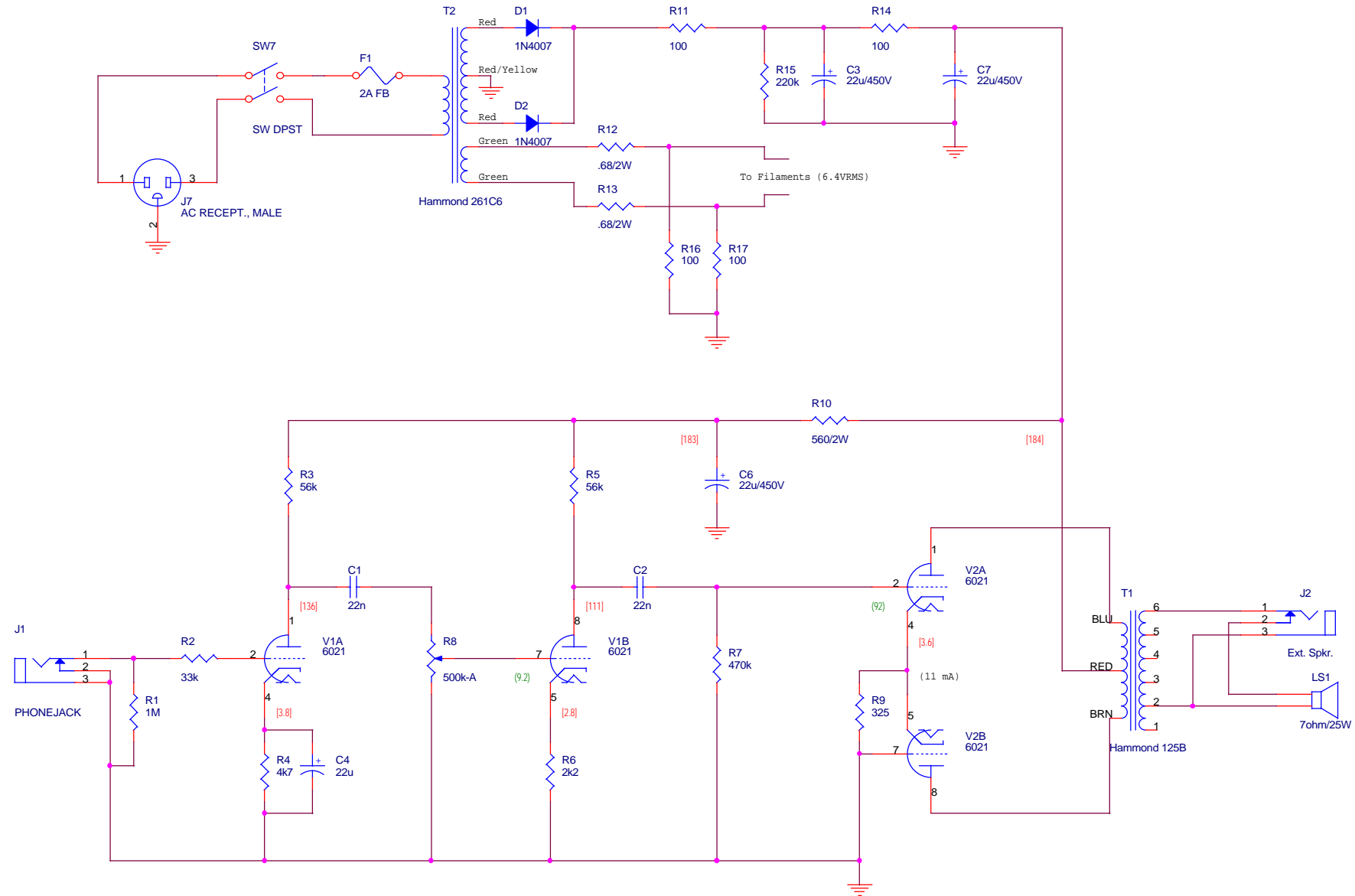


Voltage readings

(AC) peak-to-peak signal with gain controls at maximum

[DC] idle, with respect to chassis ground



Harmonic Appliances

PowerMan

Size: B	Module: full schematic
Date: Thursday, April 10, 2003	Sheet 1 of 1 Rev.: A
Copyright (c) 2003 Mark Lavelle	All rights reserved.