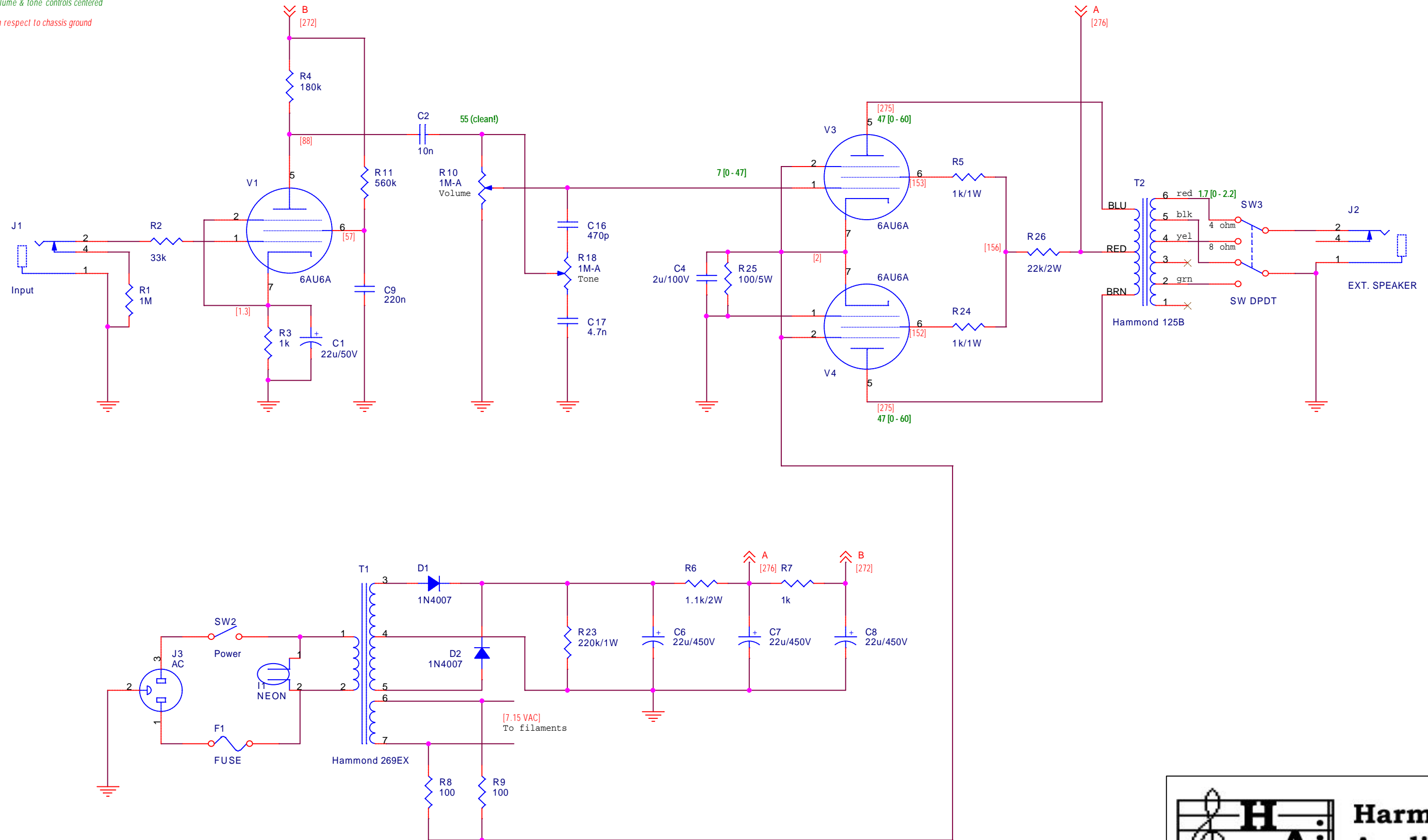


Voltage readings

AC peak-to-peak signal [or range], measured with scope, using 0.5V (.155Vrms) 200Hz sine wave input, volume & tone controls centered

[DC] idle, with respect to chassis ground



Harmonic Appliances

Pentotron Guitar Amp

Module: all	Rev.: A1	Size: B
Date: Wednesday, September 11, 2002	Sheet 1 of 1	
Copyright (c) 2002 Mark Lavelle		No distribution without permission